

# HIGH VACUUM

## Pipe System Product Catalogue

HV 19.1 English

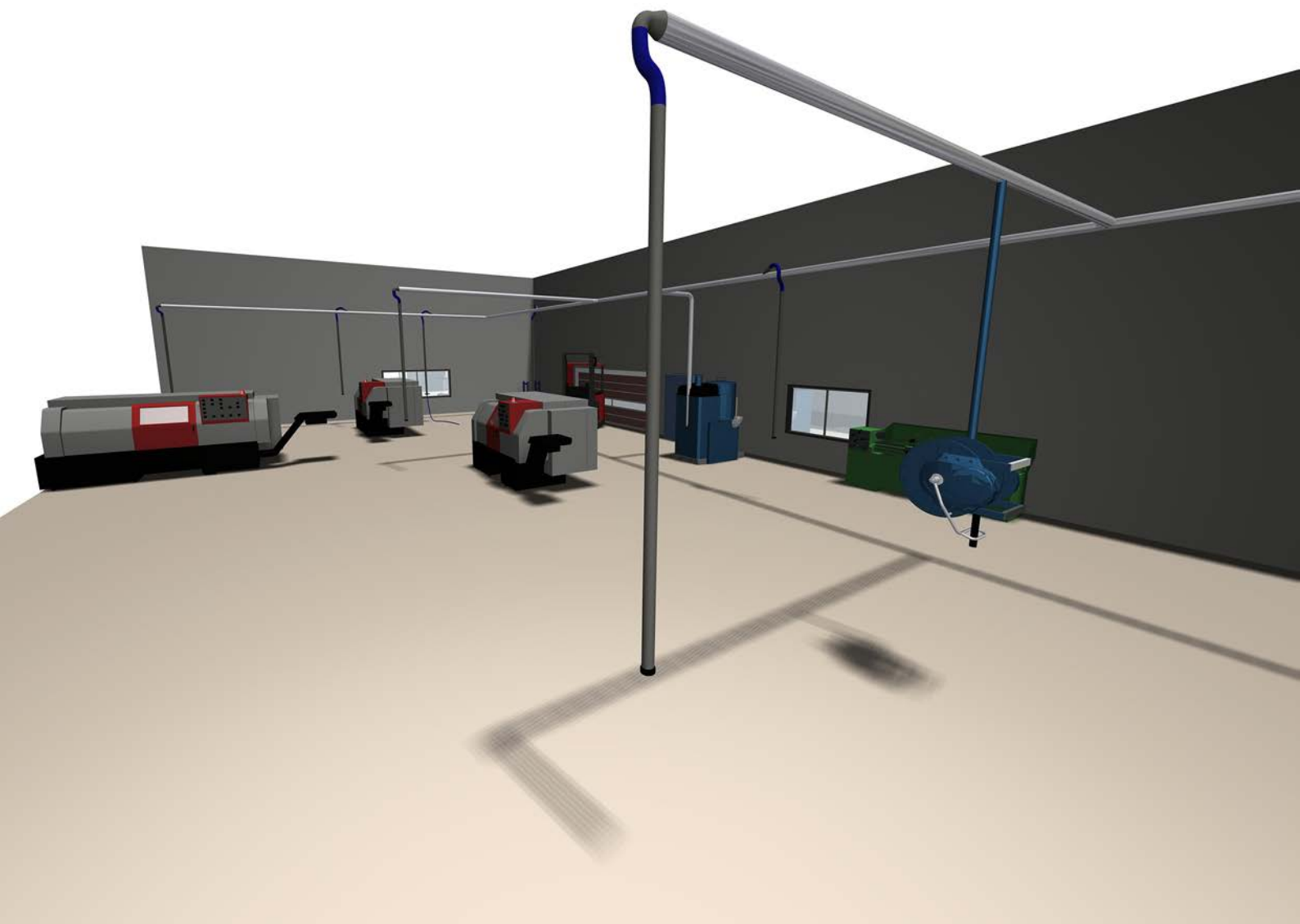
**Fast, Friendly and Reliable™**

## Our high vacuum pipes can be used for many applications.

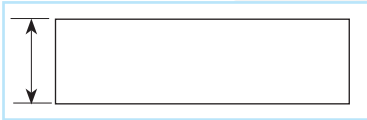
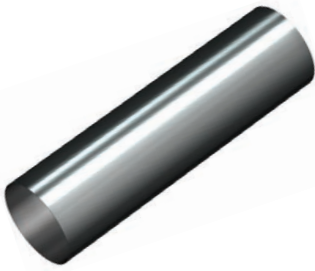
The term 'high vacuum' refers to the high vacuum and low airflow used to catch, transport and filter fumes, dust and other particles.

Our solutions include:

- Extraction of fumes from welding torches
- Extraction of grinding dust directly from the handheld grinding machine thanks to our range of manifolds that matches most handheld machines on the market
- Cleaning of floors and machines etc. with our wide choice of accessories
- Transport of large volumes of material which may be both heavy and abrasive



ORDER EXAMPLE:  
Pipe HV Galv 1,2mm 102RO L=6m



**Pipes** Galvanised steel pipes, used as main pipes.

Ø mm	Item no.	L mm	Thickness mm	Weight, kg
50	40130440	3000	1,2	5,5
50	40130450	6000	1,2	10,9
63	40130420	3000	1,2	5,5
63	40130430	6000	1,2	11,0
76	40130400	3000	1,2	5,6
76	40130410	6000	1,2	11,1
102	40130380	3000	1,2	8,8
102	40130390	6000	1,2	17,5
127	40130360	3000	1,5	9,3
127	40130361	6000	1,5	18,6
152	40130340	3000	1,5	11,0
152	40130350	6000	1,5	33,0
203	40130320	3000	1,5	22,0
203	40130330	6000	1,5	44,0



ORDER EXAMPLE:  
Pipe Coupling Galv 50mm

**Pipe coupling**

Used to join pipes together.  
The rubber is electrically conductive.

Ø mm	Item no.	Weight, kg
50	43884001	0,25
63	40139350	0,25
76	40139420	0,25
102	40139370	0,35
127	40139410	0,43
152	40139360	0,50
203	40139400	0,60

ORDER EXAMPLE:  
Clip Beam G1112



**Beam clamp**

Used in pairs to fix universal profiles to beams where drilling is not permitted/ possible.  
Beam flange: max. 25 mm.

Item no.	Weight, kg
40170250	0,3



*Bend mounted to a beam through use of Pipe Clamp and Beam Clamp*



ORDER EXAMPLE:  
Bracket Universal Galv L=0,3m G800

**Universal bracket**

For suspending pipes.

L m	Item no.	Weight, kg
0,15	40170010	0,35
0,3	40170020	0,65
2	40170030	0,85



ORDER EXAMPLE:  
Bracket Wall Universal Galv L=2m

**Universal bracket**

For suspending wall-mounted pipes.

L m	Item no.	Weight, kg
0,1	40170060	0,05
0,3	40170070	0,30
2	40170080	1,00



ORDER EXAMPLE:  
Clamp Pipe HV Galv 76mm

**Pipe clamp**

Used to suspend pipes together with universal bracket or profile.  
In two halves, bolt and nut.

Ø mm	Item no.	Weight, kg
50	40170160	0,1
63	40170170	0,1
76	40170180	0,1
102	40170190	0,2
127	40170230	0,2
152	40170210	0,25
203	40170220	0,30

ORDER EXAMPLE:  
Nut M8 universal



**Channel Nut with Short Spring**

Ø mm	Item no.
Fits all universal brackets	40170260

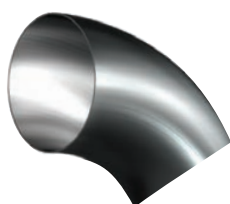
ORDER EXAMPLE:  
Bend HV Galv 1,5mm 63RO 90Deg



**Bends, 90° Galvanised steel bends**

Ø mm	Item no.	Center Radius mm	Thickness mm	Weight kg
50	40130790	85	1,5	0,3
63	40130780	100	1,5	0,5
76	40134020	170	1,5	1,0
102	40131070	200	2,0	2,0
127	40134000	170	2,0	2,1
152	40130750	225	2,0	3,2
203	40134251	300	2,0	4,8

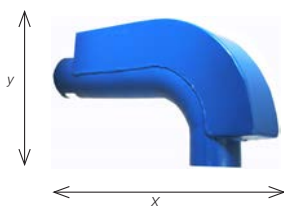
ORDER EXAMPLE:  
Bend HV Galv 1,5mm 50RO 45Deg



**Bends, 45° Galvanised steel bends**

Ø, mm	Item no.	Center Radius mm	Thickness mm	Weight kg
50	40130840	85	1,5	0,2
63	40134100	100	1,5	0,3
76	40134030	170	1,5	0,7
102	40131080	200	2,0	1,2
127	40134010	170	2,0	1,4
152	40134340	225	2,0	2,1
203	40134249	300	2,0	2,5

ORDER EXAMPLE:  
Bend Reinforced Steel HV MS 3mm  
63RO RAL 5009

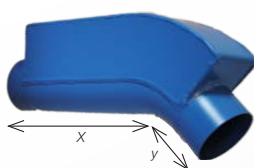


**Reinforced steel bends, 90° steel bends with swarf box**

Finish RAL5009 blue

Ø, mm	Item no.	Thickness mm	Weight kg	X mm	Y mm
63	40134201	1,5	1,5	265	115
102	40134221	2,0	4,9	400	185

ORDER EXAMPLE:  
Bend Reinforced Steel HV MS 2mm  
102RO 90Deg RAL 5009

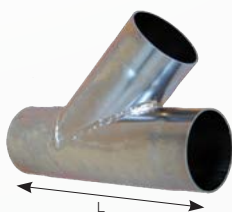


**Reinforced steel bends 45° steel bends with swarf box**

Finish RAL5009 blue

Ø, mm	Item no.	Thickness mm	Weight kg	X mm	Y mm
63	40134301	1,5	1,0	185	35
102	40134321	2,0	3,8	260	45

ORDER EXAMPLE:  
Branch HV Galv 2mm 127RO 127RO  
76RO 45Deg



**Branch pipes**

45° galvanised branch pipes used to join vacuum pipes together or connect a suction pipe.

Ø, mm	Item no.	L mm	Thickness, mm	Weight, kg
50-50-50	40130650	150	1,5	0,4
63-63-63	40130660	300	1,5	0,6
76-76-63	40135650	200	1,5	1,0
76-76-76	40135640	270	1,5	1,0
102-102-63	40130600	280	2,0	1,4
102-102-76	40135630	300	2,0	1,8
127-127-76	40135620	300	2,0	2,2
127-127-102	40135610	350	2,0	2,8
152-152-152	40134150	500	2,0	4,0

ORDER EXAMPLE:  
Branch Parallel HV Galv 2mm 152RO  
152RO 103RO

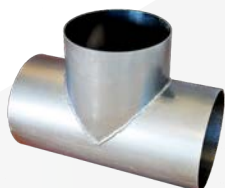


### Branch pipes, parallel

Galvanised branch pipes. Used to join vacuum pipes together. Parallel branch.

Ø, mm	Item no.	L mm	Thickness mm	Weight kg
102-102-102	40130630	350	2,0	2,7
152-152-102	40130640	250	2,0	2,6

ORDER EXAMPLE:  
Pipe T HV Galv 2mm 152RO 152RO  
152RO



### T-pipe

Galvanised pipe branch used between dust separator and vacuum unit for parallel connection.

Ø, mm	Item no.	L mm	Thickness mm	Weight kg
152-152-152	40130120	250	2,0	4,4
203-203-203	40130210	300	2,0	6,1

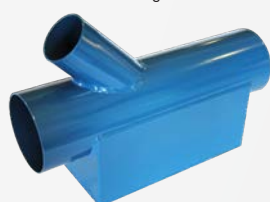
ORDER EXAMPLE:  
Branch Y HV Galv 2mm 102RO 102RO  
102RO 45Deg



### Y-Branch pipes 45° branch

Ø, mm	Item no.	L mm	Thickness mm	Weight kg
50-50-50	40136030	150	1,5	0,4
63-63-63	40136031	150	1,5	0,6
76-76-76	40136032	150	1,5	1,0
102-102-102	40136033	200	2,0	1,4
127-127-127	40136034	200	2,0	2,2
152-152-152	40136035	200	2,0	2,8
203-203-203	40136036	200	2,0	4,0

ORDER EXAMPLE:  
Branch Reinforced HV MS 2mm 102RO  
102RO 63RO 45Deg RAL 5009



### Reinforced branch pipes Branch pipes with swarf box.

Finish RAL5009 blue, 45°

Ø mm	Item no.
63-63-63	40134101
102-102-63	40134121
102-102-102	40134131

ORDER EXAMPLE:  
Reducer HV Galv 2mm 152RO 127RO



### Cone / Reducer

Galvanised.

Ø, mm	Item no.	L mm	Thickness mm	Weight kg
63-50	40130730	67	1,5	0,2
76-50	40135750	70	1,5	0,2
76-63	40135740	75	1,5	0,2
102-76	40135830	120	1,5	0,4
108-102	40135840	120	1,5	0,5
127-76	40135820	120	2,0	0,6
127-102	40135810	120	2,0	0,7
152-127	40135800	120	2,0	0,8
203-152	40130020	150	2,0	1,4

ORDER EXAMPLE:  
Reducer, Eccentric HV Alu 4,5mm  
102RO 63RO



### Reducer, eccentric

Cast aluminum.

Ø, mm	Item no.	L mm	Thickness mm	Weight kg
102-63	40130710	125	1,5	0,6
152-102	40130700	145	2,0	1,1

ORDER EXAMPLE:  
End Cap Galv 0,7mm 203RO



### End cover

Used to block of the end of a pipe.

Ø mm	Item no.
50	40130031
63	40130030
102	40130040
152	40130050
203	40130060

ORDER EXAMPLE:  
Leaf Valve Manual Galv 76RO 63RO



### Leaf Valve MDKB

Electrically zinc coated with spring-loaded lock. Connected with hose coupling MDKS.

Ø mm	Item no.	Weight, kg
50-50	40136000	0,35
63-50	40136001	0,50
63-63	40136002	0,50
76-63	40136003	0,60
76-76	40136004	0,65

ORDER EXAMPLE:  
Leaf Valve Manual w/ Switch Galv 63RO 63RO



### Leaf Valve MDKM

Electrically zinc coated with spring-loaded lock and furnished with a micro switch. Connected with hose coupling MDKS.

Ø mm	Item no.	Weight, kg
50-50	40136020	0,40
63-50	40136021	0,55
63-63	40136022	0,65
76-63	40136023	0,75
76-76	40136024	0,80

ORDER EXAMPLE:  
Hose Natural Rubber 152mm L=12m



### Rubber Hose

The hose will be used as bends. Rubber bends are used when conveying abrasive material such as shavings, sand, dust and powder etc. Inner tube: wear resistant SBR/NR, black, smooth. Reinforcement: synthetic textile with embedded steel helix. Cover: wear and weather resistant SBR/NR, black, corrugated. Temperature range: -40°C to +90°C. Electrical properties: conductive tube and cover, R<106Ω/m. Available in 12m lengths.

Inside Ø mm	Item no
63	82100126
76	82100127
102	82100128
127	82100129
152	82100130

ORDER EXAMPLE:  
Connector Hose HV Galv 63RO 63RO



### Hose Connector MDKS

Ø mm	Item no.
50-38	40136040
50-50	40136042
63-50	40136043
63-63	40136044
76-63	40136045

ORDER EXAMPLE:  
Clamp Hose HV Galv 127mm f/Rubber hose



### Hose Clamps

Two clamps needed for each length of hose.

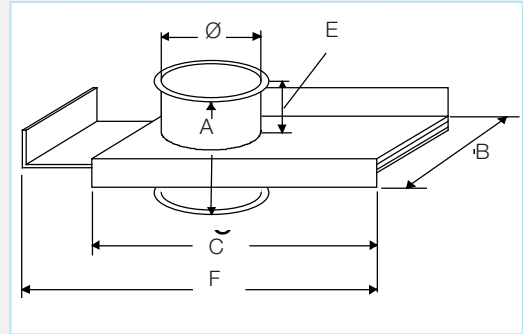
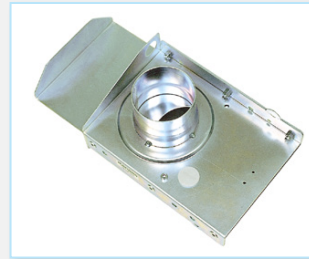
Inside Ø mm	Item no.
63	82100131
76	82100132
102	82100133
127	82100134
152	82100135

## SBBA Manual Damper

The SBBA is a circular slide damper for tight closure. In the closed position, the damper is airtight and silent. Since there is no damper blade in the air stream in the open position, the damper is suitable for use in systems for dust-laden air. The damper is used for closing extraction points on machinery and in workplaces not currently in use.

Ø mm	Item no.	A mm	B mm	C mm	E mm	F mm	Weight kg
50	8210004509	145	140	225	60	285	2,1
63	8210004510	145	140	225	60	300	2,1
76	8210004511	145	160	255	60	345	2,7
102	8210004514	145	205	345	60	480	3,6

ORDER EXAMPLE:  
Damper Manual SBBA Galv 76R0

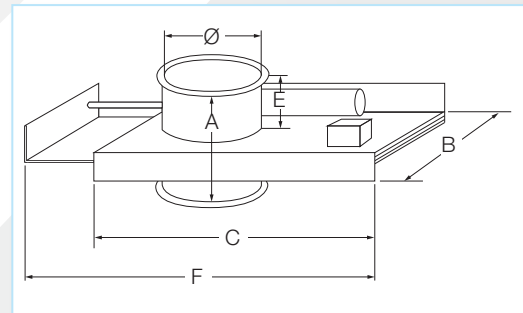
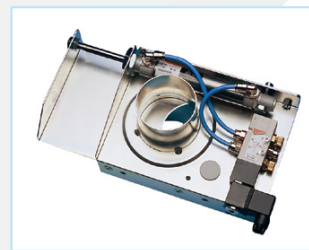


## SBBB Pneumatic Damper

The SBBB is a circular compressed air powered automatic slide damper for rapid and tight closure. Since the damper is opened and closed automatically, extraction is always focused on the connections, extraction points or machines currently in operation. This maximizes extraction power, with lower energy consumption as a bonus.

Ø mm	Item no.	A mm	B mm	C mm	E mm	F mm	Weight kg
50	8210004688	145	140	195	60	220	2,3
63	8210004689	145	140	195	60	220	2,3
76	8210004690	145	160	225	60	250	3,0
102	8210004691	145	205	315	60	340	4,0

ORDER EXAMPLE:  
Damper Automatic SBBB Galv 102R0 230VAC



- The damper should be connected to clean and dry compressed air
- Working pressure 5-8 bar
- Maximum temperature 80° C
- Voltage: 230V AC (Coils for 24-48-110V AC & DC optional)



## General conditions of sale

### Shipping and Packaging

An additional charge for shipping and packaging may be applied.

### Delivery Times

Order with parts available at stock and manufactured parts will be shipped in 1 - 2 days after order receipt.

### Upon Receipt of Delivery

Please check the number of packages and that all components are intact before signing the waybill. If you are not completely satisfied with your order, please contact us.

Contact Mail Order:  
salesdk@nordfab.com

Contact Phone Order:  
+45 86 47 11 00

Internet:  
www.nordfab.com

### Conditions for Returning goods

Please contact us before returning goods. email salesdk@nordfab.com, phone +45 86 47 11 00. When returning goods, please enclose a copy of the original invoice or delivery note. Returns without agreement and/or attached documents will not be credited. Undamaged standard items should be returned in original packaging. 30% restocking charge apply. Delivery charges for returned items are to be paid by the customer.

### Tracking Goods

Please use the waybill number on your current bill to track goods. Goods can be tracked using:

DHL Customer service  
visit [www.dhl.com](http://www.dhl.com).

Schenker  
Phone terminal on each city or  
visit [www.schenker.com](http://www.schenker.com).

Other companies  
Phone terminal on each city.

### Price, product and technological changes

We reserve the right to change our prices at any time.

To ensure you have the latest product information, please check our website [www.nordfab.com](http://www.nordfab.com).

### Hours of Operation

Weekdays 7:00 to 16:00.

### Steel Mill Certifications

Requests for mill certificates must be requested in advance of order placement.

Ask about Nordfab's easy-to-use tools for designing and selling duct systems

- NordCAD™ for Layouts
- QTO™ for Quoting

Contact / order:  
salesdk@nordfab.com  
phone +45 86 47 11 00

[www.nordfab.com](http://www.nordfab.com)

